



SKIOLD DOSING SYSTEM DS20/DS50



SKIOLD MAKES THE DIFFERENCE!

SKIOLD DOSING SYSTEM DS20/DS50

Used for dosing of vitamins, lysine and premix

Capacities from a few grams to a few kg per batch

Compact and simple to build into existing plants

Stainless material, AISI 304

Corrosion resistant towards most raw materials

High dosing accuracy

Easy to keep clean

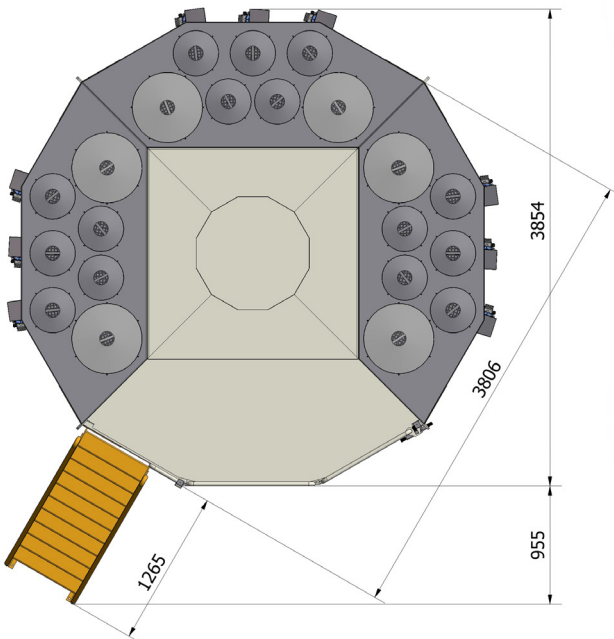
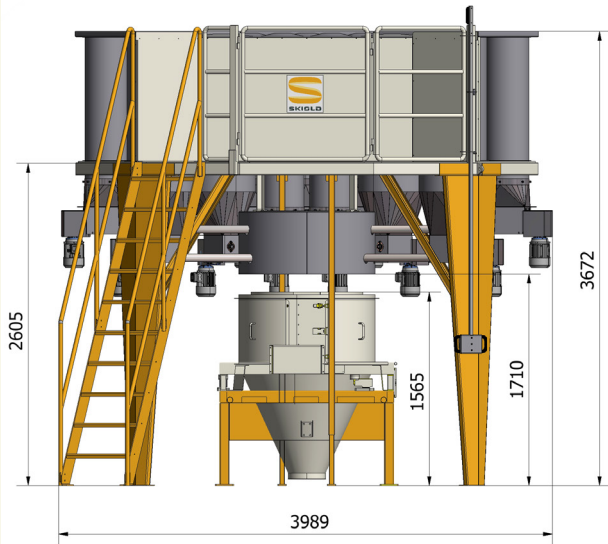
Reduces the risk of overdosing or faulty dosing, contamination and waste

Ergonomic construction minimizing heavy lifts



SKIOLD DOSING SYSTEM DS20/DS50

Example of a DS50 installation:



SKIOLD micro dosing system DS20/DS50 is used for dosing of vitamins, amino acids and premix in a weight interval from a few grams to a few kg per batch.

The standard plant consists of 3 sections each with 7 bins (2 x 300 l, 3 x 150 l and 2 x 120 l). This number can vary according to your requirements.

The bins are supplied with agitator for accumulated materials and bin, agitator and dosing auger are made of stainless steel, AISI 304.

Apart from the dosing bins, the plant consists of a platform for suspension of the bins.

The platform also acts as working platform.

The dosing units are placed in a U-shape around the central working platform.

SILO WITH DOSING UNIT - DATA

Max number of silos per scale:	3 x 7
Silo volume (l):	120 / 150 / 300
Application:	Vitamins/amino acids/premix
Execution:	Stainless steel
Dosing auger capacity* (kg/min.):	2 - 4
Dosing auger motor:	0.55 kW / T45
Agitator motor (kW):	0.55

*The capacity varies depending on the material

SCALE - DATA

	VBE/EED 20	VSS/EE 50
Hopper volume (l):	40	190
Execution:	Stainless steel	Stainless steel
Diameter (mm):	Ø450	Ø900
Static capacity (kg):	10 - 20	20 - 50
Static weighing accuracy (g):	+/- 10	+/- 15